

PRODUCT BENEFITS

Major performance improvements

- Improvement of the passive intermodulation generation
- No corrosion
- Flammability rating: UL94-V0
- UV resistance

Cost saving

- Very competitive price on connector
- Transportation cost saving by the reduction of the product weight

83g->29.6g (60% lighter)

- Narrow variations linked to copper alloy

Easy to use

- 100% intermatable with the 7/16 standard interface
- Low intermodulation even with a low mating torque during the mounting process.
- Color coding

a new composite

7/16

has hatched



PRODUCT RANGE

Short version

- Body length L=21.5mm
- Panel seal or panel seal and waterproof interface
- Standard colors: black, red, green, blue, white (any other color is available upon request)



Long version

- Body length L=37.5mm
- Panel seal or panel seal and waterproof interface
- Standard colors: black, red, green, blue, white (any other color is available upon request)



COMPOSITE SQUARE FLANGE JACK RECEPTACLE PANEL SEAL AND WATERPROOF INTERFACE REAR MOUNTING M3 SCREW

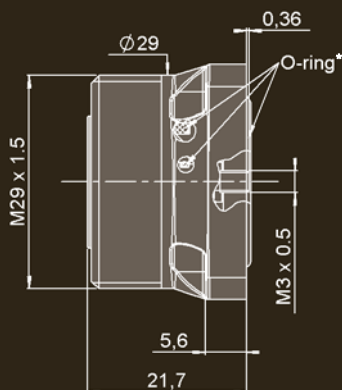


Figure 1

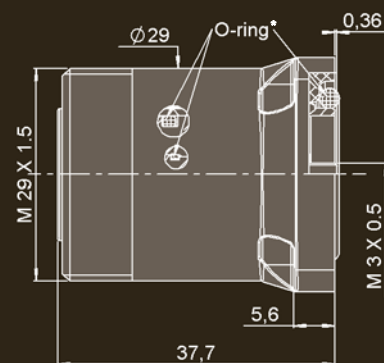


Figure 2

| Part number | Figure | Captive center contact | Waterproof interface | Color |
|--------------|--------|------------------------|----------------------|-------|
| R187 403 000 | 1 | no | no | black |
| R187 403 100 | | no | yes | |
| R187 406 000 | | yes | no | |
| R187 406 100 | | yes | yes | |
| R187 413 000 | 2 | no | no | |
| R187 413 100 | | no | yes | |
| R187 416 000 | | yes | no | |
| R187 416 100 | | yes | yes | |

Standard color is black however, other colors are proposed upon request. Packaging 20 pieces.
The 7/16 plug in composite material has also been developed and will be soon available.
Other specific demands can be proceeded according to customer needs.

* O-ring inside, only on the waterproof models.

SPECIFICATIONS

Excellent electrical performances

| | |
|--------------------------|---|
| Frequency range | DC-7.5 GHz |
| VSWR | 1.06 @ DC-3 GHz |
| | 1.10 @ 3-7.5 GHz |
| High working voltage | > 2700 V |
| Very low intermodulation | IMP3 < -125 dBm under 2 carriers of +43 dBm |
| | And typically < -130 dBm |
| Power handling | > 800 W @ 935 MHz |

Mechanical characteristics

| | |
|--------------------------------------|---------------------|
| Long life duration | > 500 mating cycles |
| Coupling torque | > 35 Nm |
| Coupling strength | 1000 N |
| Center contact retention/axial force | > 200 N |
| Center contact retention/torque | > 80 Ncm |

Environmental characteristics

| | |
|---------------------|-------------------------|
| Temperature range | -40°C / +85°C |
| Humidity | Up to 100% @ 20°C |
| Flammability rating | UL94-V0 |
| UV resistance | IEC 68-2-5 / IEC 68-2-9 |
| Waterproof | IP67 |